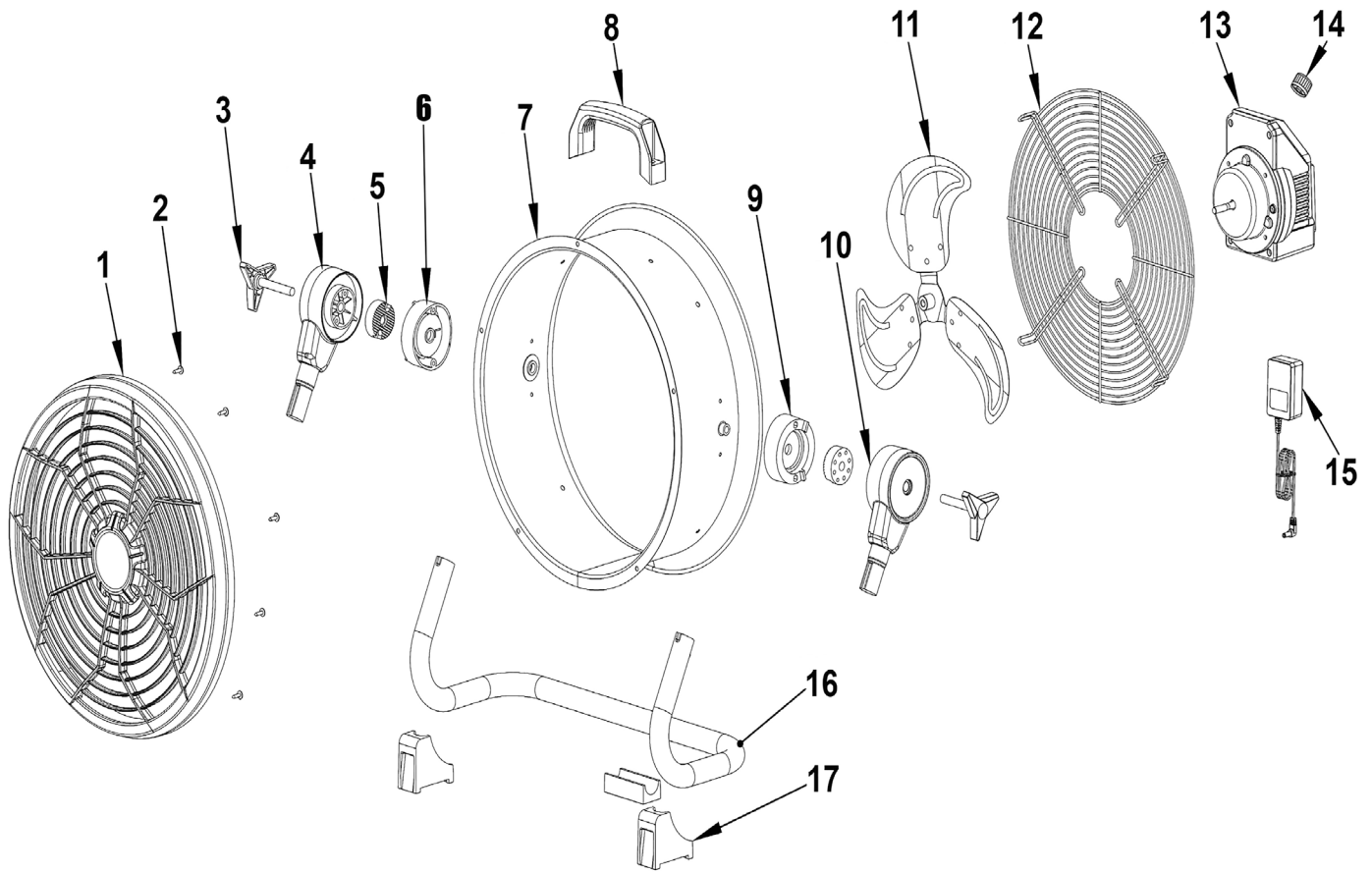




Parts Information:
**230V with Cordless Option High Velocity
 Drum Fan 16"**
Model No: HVD16C



Item	Part No.	Description
1	HVD16C-01	Front Guard 14"
2	HVD16C-02	Screw For Front Guard
3	HVD16C-03	Adjustment Thread Screw
4	HVD16C-04	Left Support Arm Assembly
5	HVD16C-05	Support Ring
6	HVD16C-06	Left Cover
7	HVD16C-07	Drum
8	HVD16C-08	Top Handle for Drum
9	HVD16C-09	Right Cover

Item	Part No.	Description
10	HVD16C-10	Right Support Arm Assembly
11	HVD16C-11	Fan Blade 14"
12	HVD16C-12	Rear Guard 14"
13	HVD16C-13	Motor/Switch Housing Assembly
14	HVD16C-14	Switch Knob
15	HVD16C-15	Mains Charger UK 20V DC 1.2A 24W 5mm Jack
16	HVD16C-16	Base
17	HVD16C-17	Set Of Feet (x 3)

NOTE: It is our policy to continually improve products and as such we reserve the right to alter data, specifications and component parts without prior notice. There may be alternative versions of this product, please contact us should you require this information.

IMPORTANT: No liability is accepted for incorrect use of product. Spare parts must be fitted by a competent person

WARRANTY: Guarantee is 12 months from purchase date, proof of which will be required for any claim.

Sealey Group, Kempson Way, Suffolk Business Park, Bury St Edmunds, Suffolk. IP32 7AR



01284 757500



sales@sealey.co.uk



www.sealey.co.uk